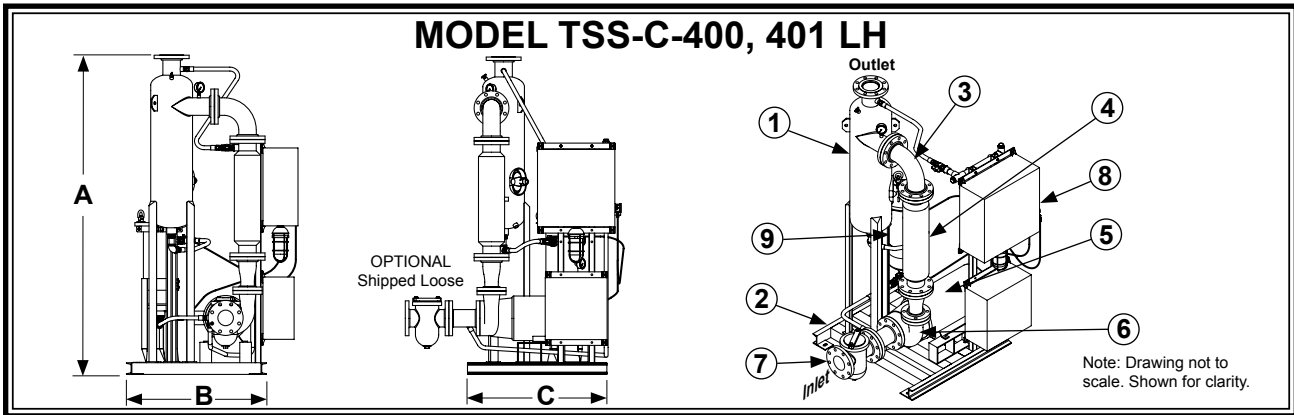


# GRISWOLD FILTRATION



SYSTEM MODEL		TSS-C-400-LH	TSS-C-401-LH
	Design Flow Rate, GPM	340@40 TDH	420@40 TDH
Item 1	Separator Model	CS-4T-FLG Carbon Steel, Powder Coated	
Item 2	Frame Construction	Carbon Steel, Powder Coated	
Item 3	Pipe Assembly	Schedule 80 PVC with Enamel Finish*	
Item 4	SBC Model	SBC-4000	
<b>MOTOR 460 VAC TEFC</b>			
Item 5	Horsepower	5 hp	7.5 hp
	Approximate Amps @ 460V	7.6 amps	11 amps
	RPM	3500	
<b>PUMP</b>			
Item 6	Pump Casing	Cast Iron	
	Pump Impeller	Bronze	
	Std. Mechanical Seal	VITON Elastomer, Silicon Carbide Seat, Carbon Rotary	
<b>BASKET STRAINER (Optional)</b>			
Item 7	Body Construction	Cast Iron	
	Internal Screen	1/4" Perforated 304 Stainless Steel	
	Connection Type	Class 150 FLG	
<b>CONTROL PANEL (UL listed and labeled, manufactured to UL-508A Std.)</b>			
Item 8	Enclosure	NEMA 4 Powder Coated, Watertight, UL listed and CSA approved	
	Electrical Components	Starter with Thermal Overload, HOA, 460/120 Transformer with Circuit Breakers, Pump "RUN" Light, Lockable Door Disconnect, Magnetic Contactor, Manufactured with all UL listed & CSA approved electrical components.	
	Service Light (Standard)	25 Watt, Amber, 120 VAC	
<b>RECOVERY TANK</b>			
Item 9	Body Construction	304 Stainless Steel	
	Internal Screen	304 Stainless Steel	
	Filter Bag	25 Micron Polypropylene	
	Differential Press. Switch	Dial Indicator with N.O. Dry Contact	
<b>SPECIFICATIONS</b>			
	Dim "A"	83"	
	Dim "B"	36"	
	Dim "C"	36"	
	Max. Inlet P.S.I.	100	
	Max. Operating P.S.I.	150	
	Max. Operating Temp.	100°F	
	Inlet with or without Strainer (Class 150 FLG)	4"	
	Outlet (Class 150 FLG.)	4"	
	Shipping Weight	1004 Lbs	

\* Optional or as required by temperature/pressure requirements---Carbon Steel, Rust Inhibitor Primer with Enamel finish

Note: Dimensions are approximate and are for reference only. Dimensions subject to change without notice. Weights are approximate.