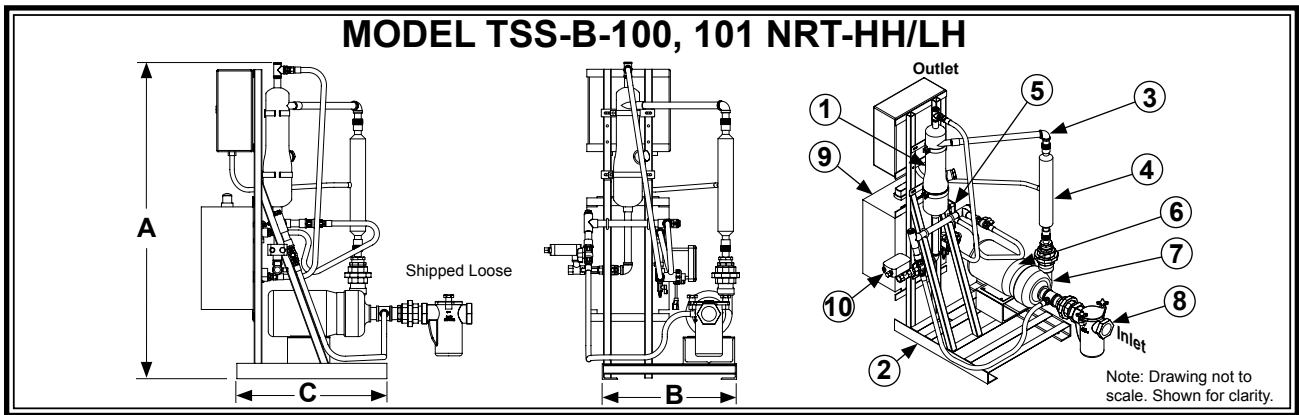


# GRISWOLD FILTRATION



SYSTEM MODEL		TSS-B-100-NRT-HH	TSS-B-101-NRT-HH	TSS-B-100-NRT-LH	TSS-B-101-NRT-LH
	Design Flow Rate, GPM	23@80 TDH	28@80 TDH	23@40 TDH	28@40 TDH
Item 1	Separator Model	CS-1T-THD Carbon Steel, Powder Coated			
Item 2	Frame Construction	Carbon Steel, Powder Coated			
Item 3	Pipe Assembly	Schedule 80 PVC with Enamel Finish*			
Item 4	SBC Model	SBC-2000			
Item 5	Conductivity Meter	(SEE SECTION 12)			
<b>MOTOR 460 VAC TEFC</b>					
Item 6	Horsepower	1 hp	1-1/2 hp	1/2 hp	3/4 hp
	Approximate Amps @ 460V	2.1 amps	3.4 amps	1.1 amps	1.6 amps
	RPM	3500			
<b>PUMP</b>					
Item 7	Pump Casing	Cast Iron			
	Pump Impeller	Bronze			
	Std. Mechanical Seal	VITON Elastomer, Silicon Carbide Seat, Carbon Rotary			
<b>BASKET STRAINER (Standard)</b>					
Item 8	Body Construction	Cast Iron			
	Internal Screen	1/4" Perforated 304 Stainless Steel			
	Connection Type	Female NPT Thread			
<b>CONTROL PANEL (UL listed and labeled, manufactured to UL-508A Std.)</b>					
Item 9	Enclosure	NEMA 4 Powder Coated, Watertight, UL listed and CSA approved			
	Electrical Components	Starter with Thermal Overload, HOA, 460/120 Transformer with Circuit Breakers, Pump "RUN" Light, Lockable Door Disconnect, Magnetic Contactor, Manufactured with all UL listed & CSA approved electrical components.			
	Service Light (Standard)	25 Watt, Amber, 120 VAC			
<b>PURGE VALVE</b>					
Item 10	Actuator, Motorized	120 VAC 60Hz			
	Connection type	1" Female NPT, Ball Valve			
<b>SPECIFICATIONS</b>					
	Dim "A"	67"			
	Dim "B"	26-1/8"			
	Dim "C"	29-1/4"			
	Max. Inlet P.S.I.	100			
	Max. Operating P.S.I.	150			
	Max. Operating Temp.	100°F			
	Inlet (NPT Thread)	1-1/2"			
	Outlet (NPT Thread)	1"			
	Shipping Weight	448 Lbs			

Note: Dimensions are approximate and are for reference only. Dimensions subject to change without notice. Weights are approximate.  
 \* Optional or as required by temperature/pressure requirements---Carbon Steel, Rust Inhibitor Primer with Enamel finish