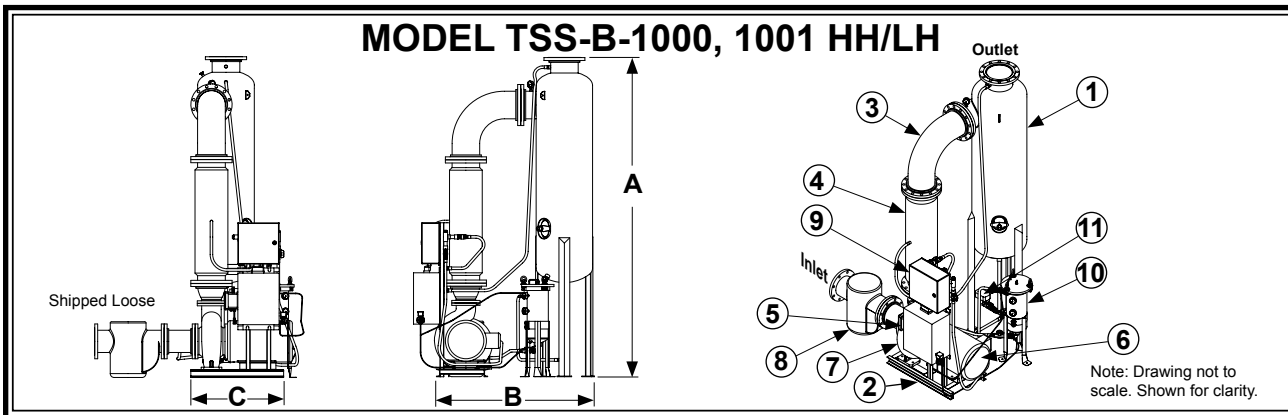


# GRISWOLD FILTRATION



SYSTEM MODEL		TSS-B-1000-HH	TSS-B-1001-HH	TSS-B-1000-LH	TSS-B-1001-LH
	Design Flow Rate, GPM	2000@80 TDH	2700@80 TDH	2000@40 TDH	2700@40 TDH
Item 1	Separator Model	CS-10T-FLG Carbon Steel, Powder Coated			
Item 2	Frame Construction	Carbon Steel, Powder Coated			
Item 3	Pipe Assembly	Carbon Steel, Rust Inhibitor Primer with Enamel finish			
Item 4	SBC Model	SBC-10000			
Item 5	Conductivity Meter	(SEE SECTION 12)			
<b>MOTOR 460 VAC TEFC</b>					
Item 6	Horsepower	50 hp	75 hp	25 hp	40 hp
	Approximate Amps @ 460V	65 amps	96 amps	24 amps	52 amps
	RPM	1750		1150	
<b>PUMP</b>					
Item 7	Pump Casing	Cast Iron			
	Pump Impeller	Bronze			
	Std. Mechanical Seal	VITON Elastomer, Silicon Carbide Seat, Carbon Rotary			
<b>BASKET STRAINER (Standard)</b>					
Item 8	Body Construction	Cast Iron			
	Internal Screen	1/4" Perforated 304 Stainless Steel			
	Connection Type	Class 150 FLG			
<b>CONTROL PANEL (UL listed and labeled, manufactured to UL-508A Std.)</b>					
Item 9	Enclosure	NEMA 4 Powder Coated, Watertight, UL listed and CSA approved			
	Electrical Components	Starter with Thermal Overload, HOA, 460/120 Transformer with Circuit Breakers, Pump "RUN" Light, Lockable Door Disconnect, Magnetic Contactor, Manufactured with all UL listed & CSA approved electrical components.			
	Service Light (Standard)	25 Watt, Amber, 120 VAC			
<b>RECOVERY TANK</b>					
Item 10	Body Construction	304 Stainless Steel			
	Internal Screen	304 Stainless Steel			
	Filter Bag	25 Micron Polypropylene			
	Differential Press. Switch	Dial Indicator with Dry N.O. Contact			
<b>PURGE VALVE</b>					
Item 11	Actuator, Motorized	120 VAC 60Hz			
	Connection type	2" Female NPT, Ball Valve			
<b>SPECIFICATIONS</b>					
	Dim "A"	134"			
	Dim "B"	68"			
	Dim "C"	45"			
	Max. Inlet P.S.I.	100			
	Max. Operating P.S.I.	150			
	Max. Operating Temp.	120°F			
	Inlet (Class 150 FLG.)	8"	10"	12"	
	Outlet (Class 150 FLG.)	10"			
	Shipping Weight	4155 Lbs			

Note: Dimensions are approximate and are for reference only. Dimensions subject to change without notice. Weights are approximate.