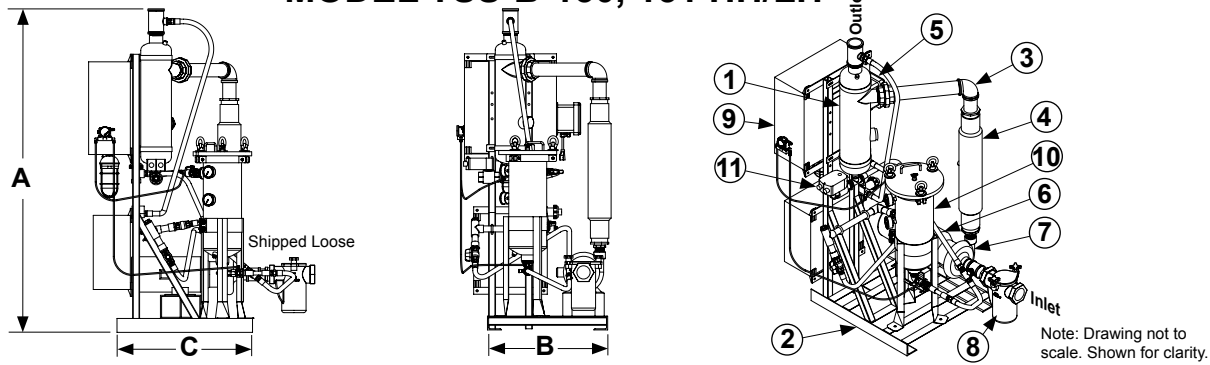


GRISWOLD FILTRATION

MODEL TSS-B-150, 151 HH/LH



| SYSTEM MODEL | | TSS-B-150-HH | TSS-B-151-HH | TSS-B-150-LH | TSS-B-151-LH |
|--|----------------------------|--|--------------|--------------|--------------|
| | Design Flow Rate, GPM | 54@80 TDH | 68@80 TDH | 54@40 TDH | 68@40 TDH |
| Item 1 | Separator Model | CS-1.5T-THD Carbon Steel, Powder Coated | | | |
| Item 2 | Frame Construction | Carbon Steel, Powder Coated | | | |
| Item 3 | Pipe Assembly | Schedule 80 PVC with Enamel Finish* | | | |
| Item 4 | SBC Model | SBC-2000 | | | |
| Item 5 | Conductivity Meter | (SEE SECTION 12) | | | |
| MOTOR 460 VAC TEFC | | | | | |
| Item 6 | Horsepower | 3 hp | | 1-1/2 hp | |
| | Approximate Amps @ 460V | 4.8 amps | | 3 amps | |
| | RPM | 3500 | | | |
| PUMP | | | | | |
| Item 7 | Pump Casing | Cast Iron | | | |
| | Pump Impeller | Bronze | | | |
| | Std. Mechanical Seal | VITON Elastomer, Silicon Carbide Seat, Carbon Rotary | | | |
| BASKET STRAINER (Standard) | | | | | |
| Item 8 | Body Construction | Cast Iron | | | |
| | Internal Screen | 1/4" Perforated 304 Stainless Steel | | | |
| | Connection Type | Female NPT Thread | | | |
| CONTROL PANEL (UL listed and labeled, manufactured to UL-508A Std.) | | | | | |
| Item 9 | Enclosure | NEMA 4 Powder Coated, Watertight, UL listed and CSA approved | | | |
| | Electrical Components | Starter with Thermal Overload, HOA, 460/120 Transformer with Circuit Breakers, Pump "RUN" Light, Lockable Door Disconnect, Magnetic Contactor, Manufactured with all UL listed & CSA approved electrical components. | | | |
| | Service Light (Standard) | 25 Watt, Amber, 120 VAC | | | |
| RECOVERY TANK | | | | | |
| Item 10 | Body Construction | 304 Stainless Steel | | | |
| | Internal Screen | 304 Stainless Steel | | | |
| | Filter Bag | 25 Micron Polypropylene | | | |
| | Differential Press. Switch | Dial Indicator with N.O. Dry Contact | | | |
| PURGE VALVE | | | | | |
| Item 11 | Actuator, Motorized | 120 VAC 60Hz | | | |
| | Connection type | 1" Female NPT, Ball Valve | | | |
| SPECIFICATIONS | | | | | |
| | Dim "A" | 67" | | | |
| | Dim "B" | 26-1/8" | | | |
| | Dim "C" | 29-1/4" | | | |
| | Max. Inlet P.S.I. | 100 | | | |
| | Max. Operating P.S.I. | 150 | | | |
| | Max. Operating Temp. | 100°F | | | |
| | Inlet (NPT Thread) | 1-1/2" | | 2-1/2" | |
| | Outlet (NPT Thread) | 1-1/2" | | | |
| | Shipping Weight | 490 Lbs | | | |

Note: Dimensions are approximate and are for reference only. Dimensions subject to change without notice. Weights are approximate.
 * Optional or as required by temperature/pressure requirements---Carbon Steel, Rust Inhibitor Primer with Enamel finish