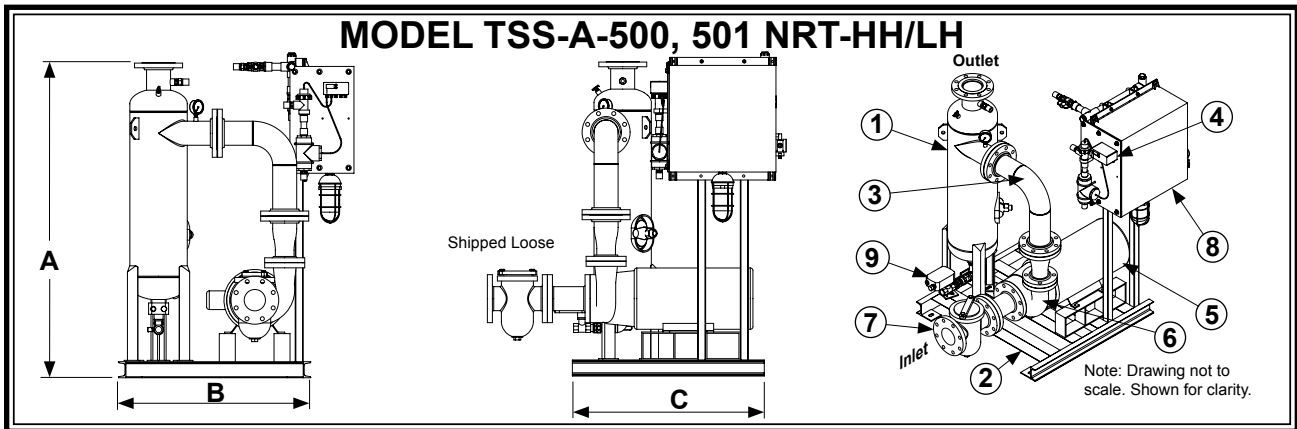


GRISWOLD FILTRATION



SYSTEM MODEL		TSS-A-500-NRT-HH	TSS-A-501-NRT-HH	TSS-A-500-NRT-LH	TSS-A-501-NRT-LH
	Design Flow Rate, GPM	510@80 TDH	650@80 TDH	510@40 TDH	650@40 TDH
Item 1	Separator Model	CS-5T-FLG Carbon Steel, Powder Coated			
Item 2	Frame Construction	Carbon Steel, Powder Coated			
Item 3	Pipe Assembly	Schedule 80 PVC with Enamel Finish*			
Item 4	Conductivity Meter	(SEE SECTION 12)			
MOTOR 460 VAC TEFC					
Item 5	Horsepower	20 hp		10 hp	15 hp
	Approximate Amps @ 460V	27 amps		14 amps	21 amps
	RPM	3500	1750	3500	
PUMP					
Item 6	Pump Casing	Cast Iron			
	Pump Impeller	Bronze			
	Std. Mechanical Seal	VITON Elastomer, Silicon Carbide Seat, Carbon Rotary			
BASKET STRAINER (Standard)					
Item 7	Body Construction	Cast Iron			
	Internal Screen	1/4" Perforated 304 Stainless Steel			
	Connection Type	Female NPT Thread			
CONTROL PANEL (UL listed and labeled, manufactured to UL-508A Std.)					
Item 8	Enclosure	NEMA 4 Powder Coated, Watertight, UL listed and CSA approved			
	Electrical Components	Starter with Thermal Overload, HOA, 460/120 Transformer with Circuit Breakers, Pump "RUN" Light, Lockable Door Disconnect, Magnetic Contactor, Timer, Manufactured with all UL listed & CSA approved electrical components.			
	Service Light (Std.)	25 Watt, Amber, 120 VAC			
PURGE VALVE					
Item 9	Actuator, Motorized Spring Return	120 VAC 60Hz			
	Connection type	1-1/2" Female NPT, Ball Valve			
SPECIFICATIONS					
Dim "A"		70"			
Dim "B"		36"			
Dim "C"		36"			
Max. Inlet P.S.I.		100			
Max. Operating P.S.I.		150			
Max. Operating Temp.		100°F			
Inlet (Class 150 FLG.)		4"	6"	5"	
Outlet (Class 150 FLG.)		5"			
Shipping Weight		1200 Lbs		1000 Lbs	

Note: Dimensions are approximate and are for reference only. Dimensions subject to change without notice. Weights are approximate.
 * Optional or as required by temperature/pressure requirements---Carbon Steel, Rust Inhibitor Primer with Enamel finish.