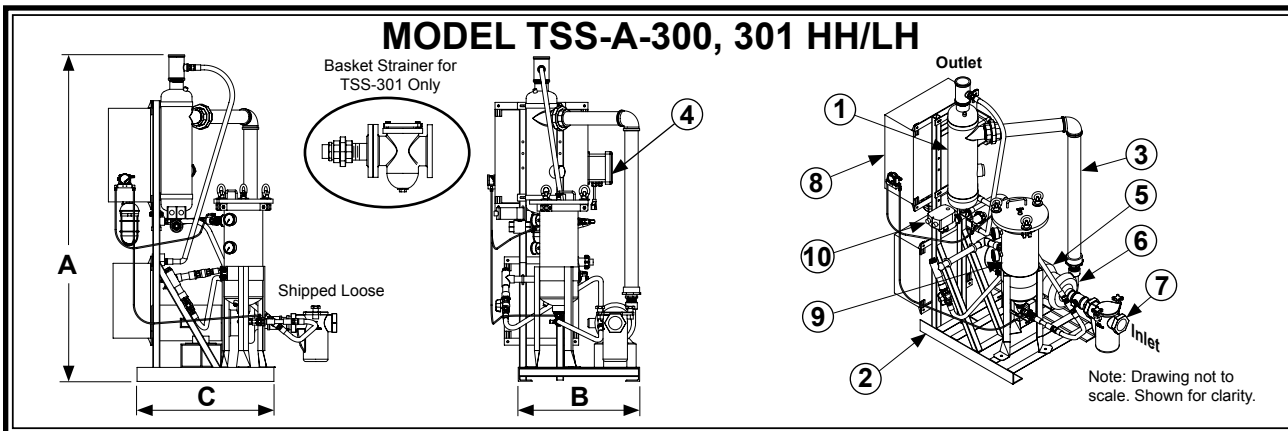


GRISWOLD FILTRATION



SYSTEM MODEL		TSS-A-300-HH	TSS-A-301-HH	TSS-A-300-LH	TSS-A-301-LH
	Design Flow Rate, GPM	200@80 TDH	250@80 TDH	200@40 TDH	250@40 TDH
Item 1	Separator Model	CS-3T-THD Carbon Steel, Powder Coated			
Item 2	Frame Construction	Carbon Steel, Powder Coated			
Item 3	Pipe Assembly	Schedule 80 PVC with Enamel Finish*			
Item 4	Conductivity Meter	(SEE SECTION 12)			
MOTOR 460 VAC TEFC					
	Horsepower	7.5 hp	10 hp	3 hp	5 hp
Item 5	Approximate Amps @ 460V	11 amps	14 amps	4.8 amps	7.6 amps
	RPM	3500			
PUMP					
	Pump Casing	Cast Iron			
Item 6	Pump Impeller	Bronze			
	Std.Mechanical Seal	VITON Elastomer, Silicon Carbide Seat, Carbon Rotary			
BASKET STRAINER (Standard)					
	Body Construction	Cast Iron			
Item 7	Internal Screen	1/4" Perforated 304 Stainless Steel			
	Connection Type	Female NPT Thread	Class 150 FLG	Female NPT Thread	Class 150 FLG
CONTROL PANEL (UL listed and labeled, manufactured to UL-508A Std.)					
	Enclosure	NEMA 4 Powder Coated, Watertight, UL listed and CSA approved			
Item 8	Electrical Components	Starter with Thermal Overload, HOA, 460/120 Transformer with Circuit Breakers, Pump "RUN" Light, Lockable Door Disconnect, Magnetic Contactor, Manufactured with all UL listed & CSA approved electrical components.			
	Service Light (Std.)	25 Watt, Amber, 120 VAC			
RECOVERY TANK					
	Body Construction	304 Stainless Steel			
Item 9	Internal Screen	304 Stainless Steel			
	Filter Bag	25 Micron Polypropylene			
	Differential Press. Switch	Dial Indicator with Dry N.O. Contact			
PURGE VALVE					
	Actuator, Motorized Spring Return	120 VAC 60Hz			
Item 10	Connection type	1" Female NPT, Ball Valve			
SPECIFICATIONS					
	Dim "A"	67"			
	Dim "B"	26-1/8"			
	Dim "C"	29-1/4"			
	Max. Inlet P.S.I.	100			
	Max. Operating P.S.I.	150			
	Max. Operating Temp.	100°F			
	Inlet	3" NPT	4" FLG	3" NPT	4" FLG
	Outlet (NPT Thread)	3"			
	Shipping Weight	650 Lbs		550 Lbs	

Note: Dimensions are approximate and are for reference only. Dimensions subject to change without notice. Weights are approximate.
 * Optional or as required by temperature/pressure requirements---Carbon Steel, Rust Inhibitor Primer with Enamel finish.