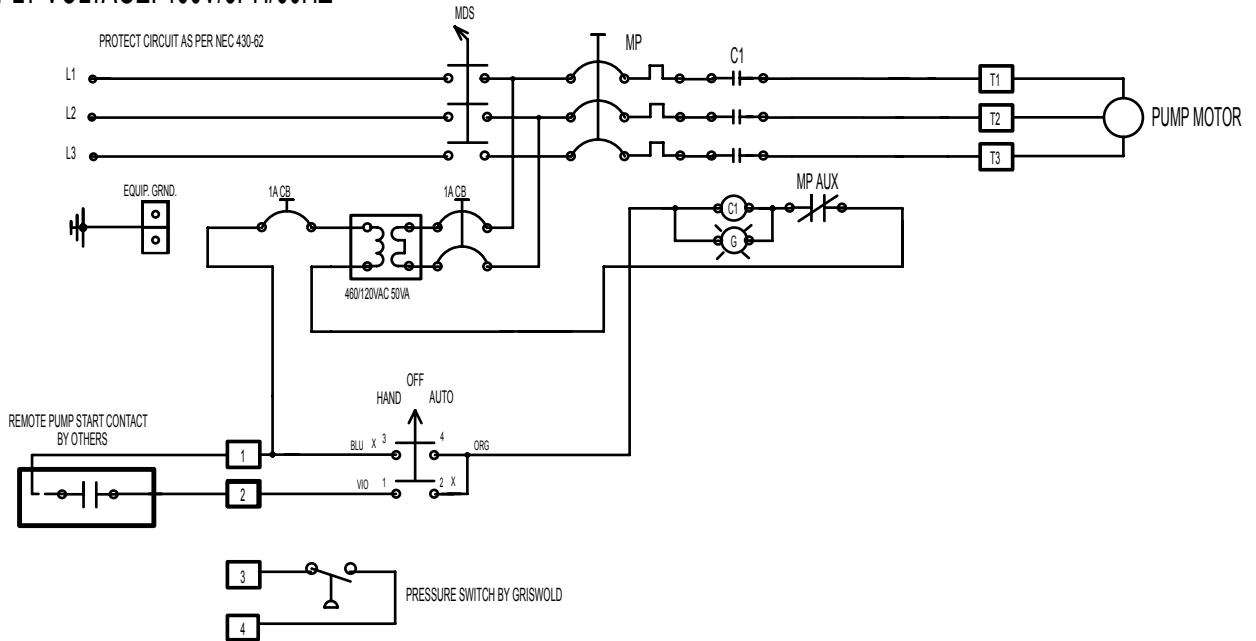


GRISWOLD FILTRATION

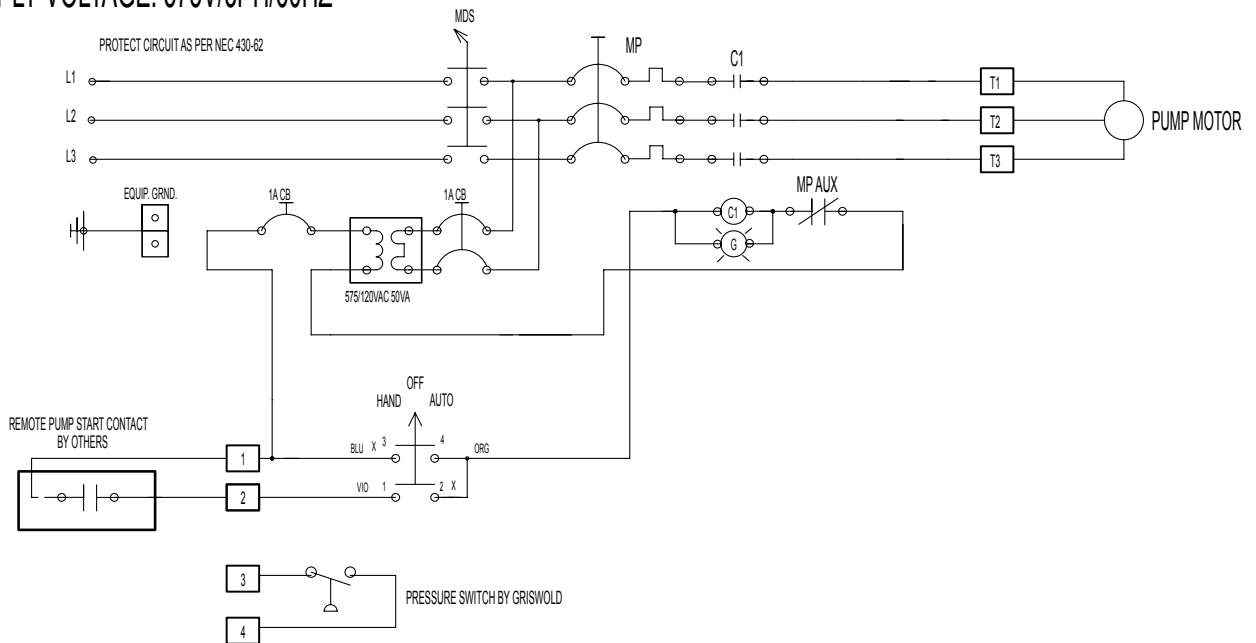
WIRING DIAGRAM (460V CSR Systems, No Service Light)

SUPPLY VOLTAGE: 460V/3PH/60HZ



WIRING DIAGRAM (575V CSR, No Service Light)

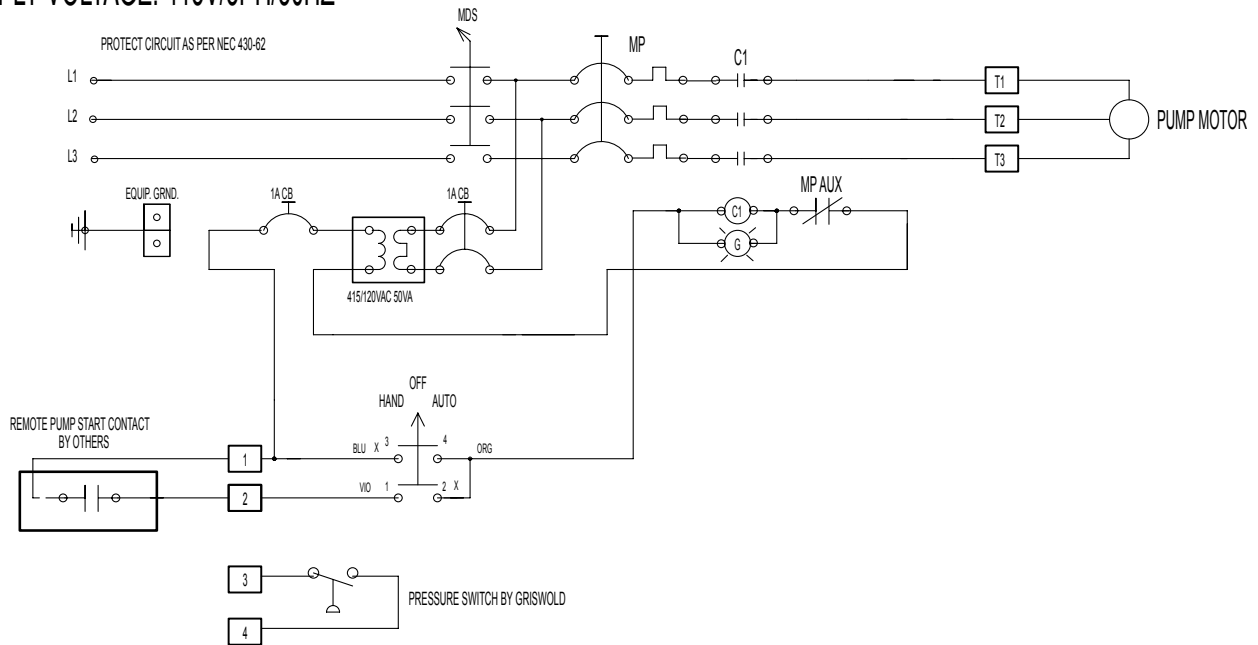
SUPPLY VOLTAGE: 575V/3PH/60HZ



GRISWOLD FILTRATION

WIRING DIAGRAM (415V-50Hz CSR, No Service Light)

SUPPLY VOLTAGE: 415V/3PH/50HZ



WIRING DIAGRAM (380V-50Hz CSR, No Service Light)

SUPPLY VOLTAGE: 380V/3PH/50HZ

